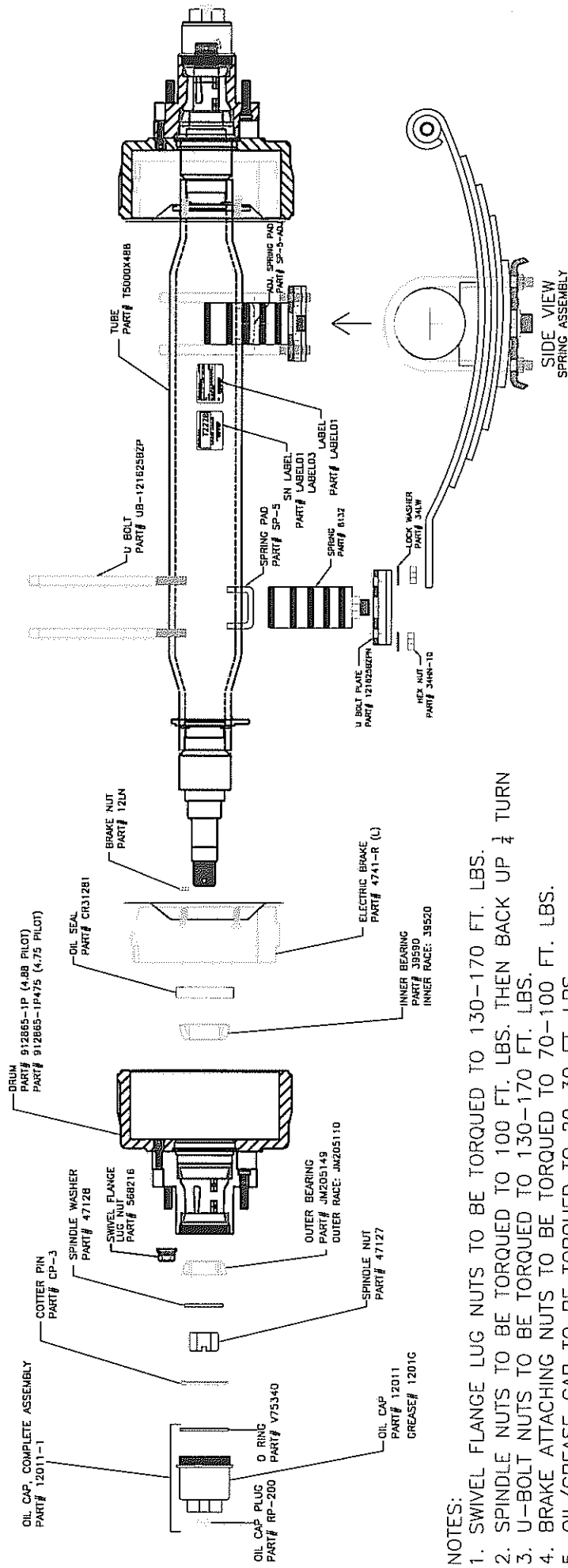


12K Axle W/Electric Brakes

Parts List



- NOTES:**
1. SWIVEL FLANGE LUG NUTS TO BE TORQUED TO 130-170 FT. LBS.
 2. SPINDLE NUTS TO BE TORQUED TO 100 FT. LBS. THEN BACK UP 1/4 TURN
 3. U-BOLT NUTS TO BE TORQUED TO 130-170 FT. LBS.
 4. BRAKE ATTACHING NUTS TO BE TORQUED TO 70-100 FT. LBS.
 5. OIL/GREASE CAP TO BE TORQUED TO 20-30 FT. LBS.